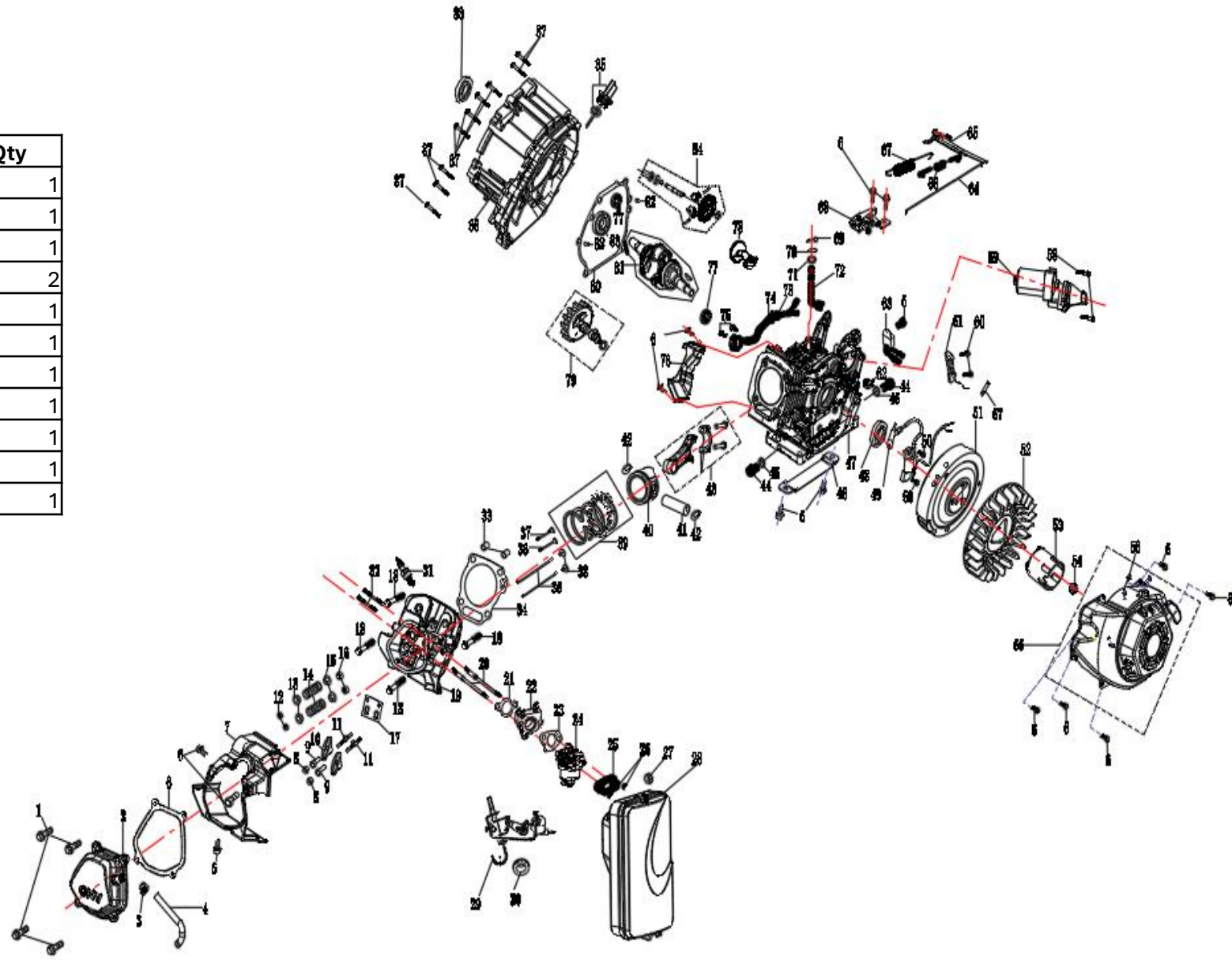


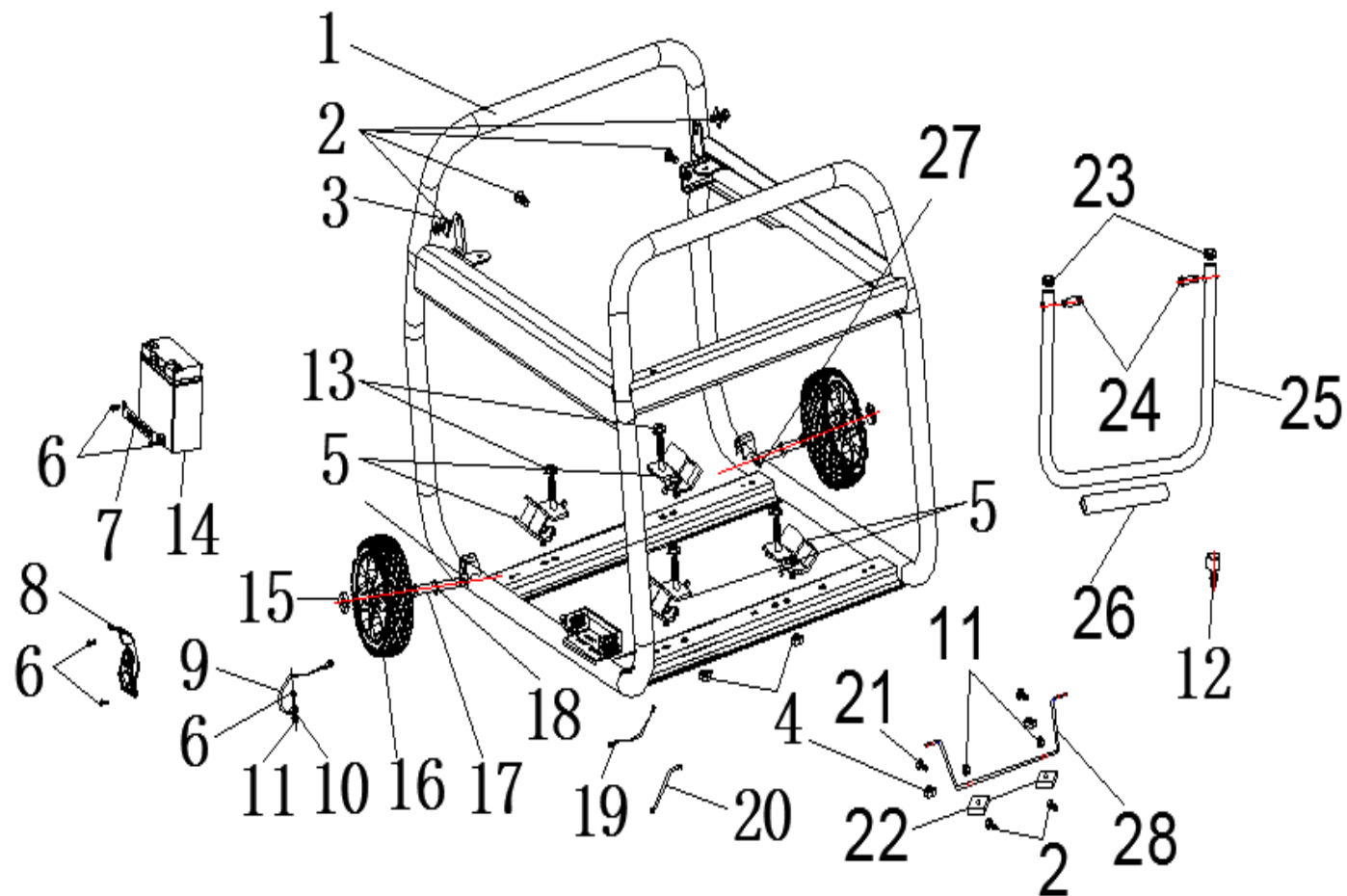
**Engine:**

Part #	Item Code	Description	Qty
4	812607	EXHAUST PIPE	1
23	812597	CARBURETOR GASKET	1
24	421403	CARBURETOR ASSEMBLY	1
25	812598	AIR FILTER GASKET	2
28	421404	AIR FILTER ASSEMBLY	1
49	812593	IGNITION COIL ASSEMBLY	1
55	421406	RECOIL STARTER ASSEMBLY	1
59	421405	STARTING MOTOR COMPONENT	1
63	812580	OIL ALARM	1
74	812603	OIL SENSOR	1
85	812857	OIL DIPSTICK ASSEMBLY	1



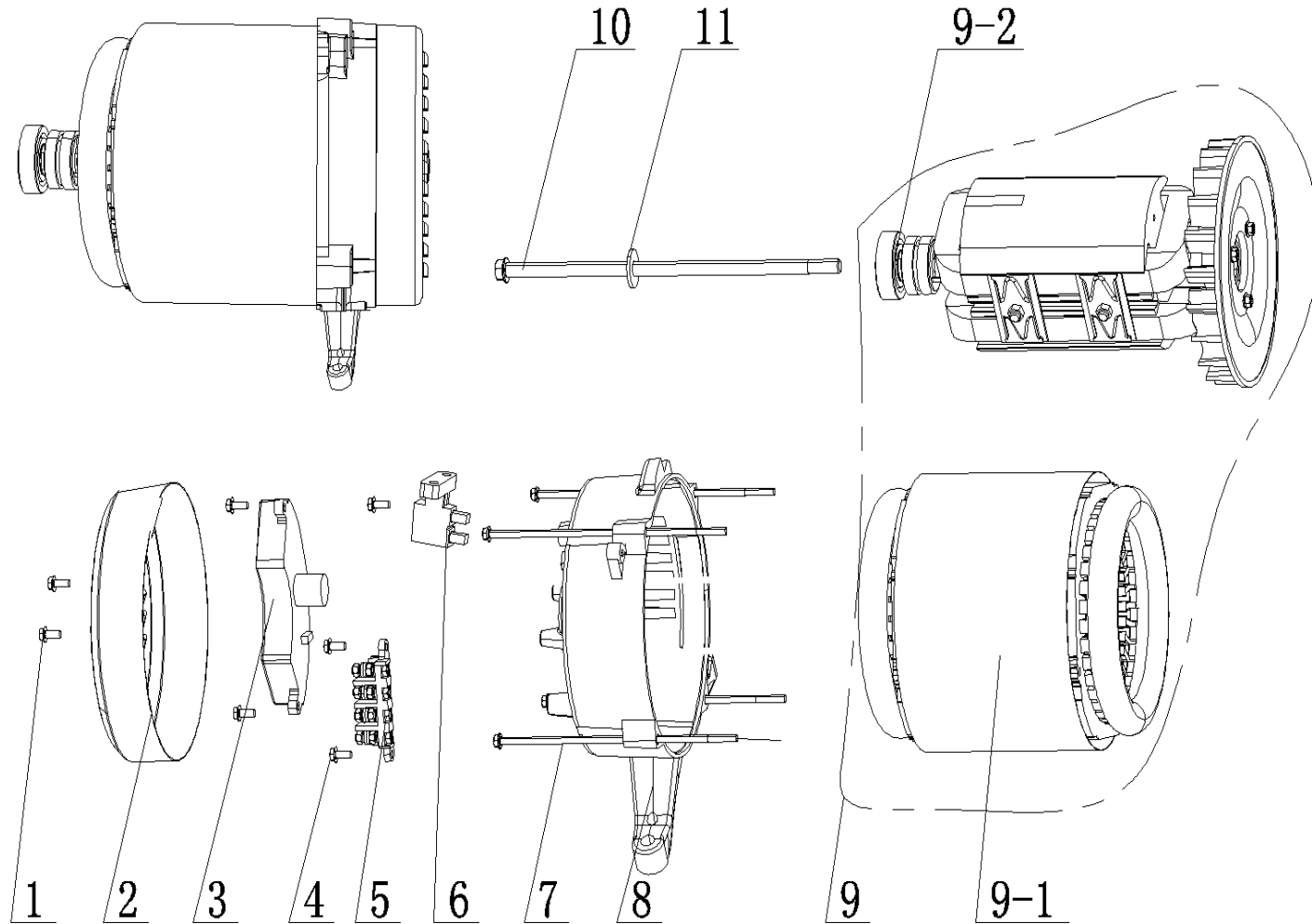
## Frame:

Part #	Item Code	Description	Qty
1	421407	FRAME ASSEMBLY	1
4	812615	NUT	6
5	812608	SHOCK ABSORBING BEARING	2
-	812609	SHOCK ABSORBING BEARING	1
-	812610	SHOCK ABSORBING BEARING	1
15	812601	WHEEL HUB COVER	2
16	812594	WHEEL ASSEMBLY	2
17	812612	AXLE	2
22	812611	SUPPORT RUBBER PAD	2
23	812600	CAP	2
24	812605	HANDLE RETAINING PIN	2
25	812595	HAND HANDLE TUBE ASSEMBLY	1
26	812596	RUBBER COVER FOR HANDLE	1
27	812583	LOCATING PIN LOCK CLAMP	2



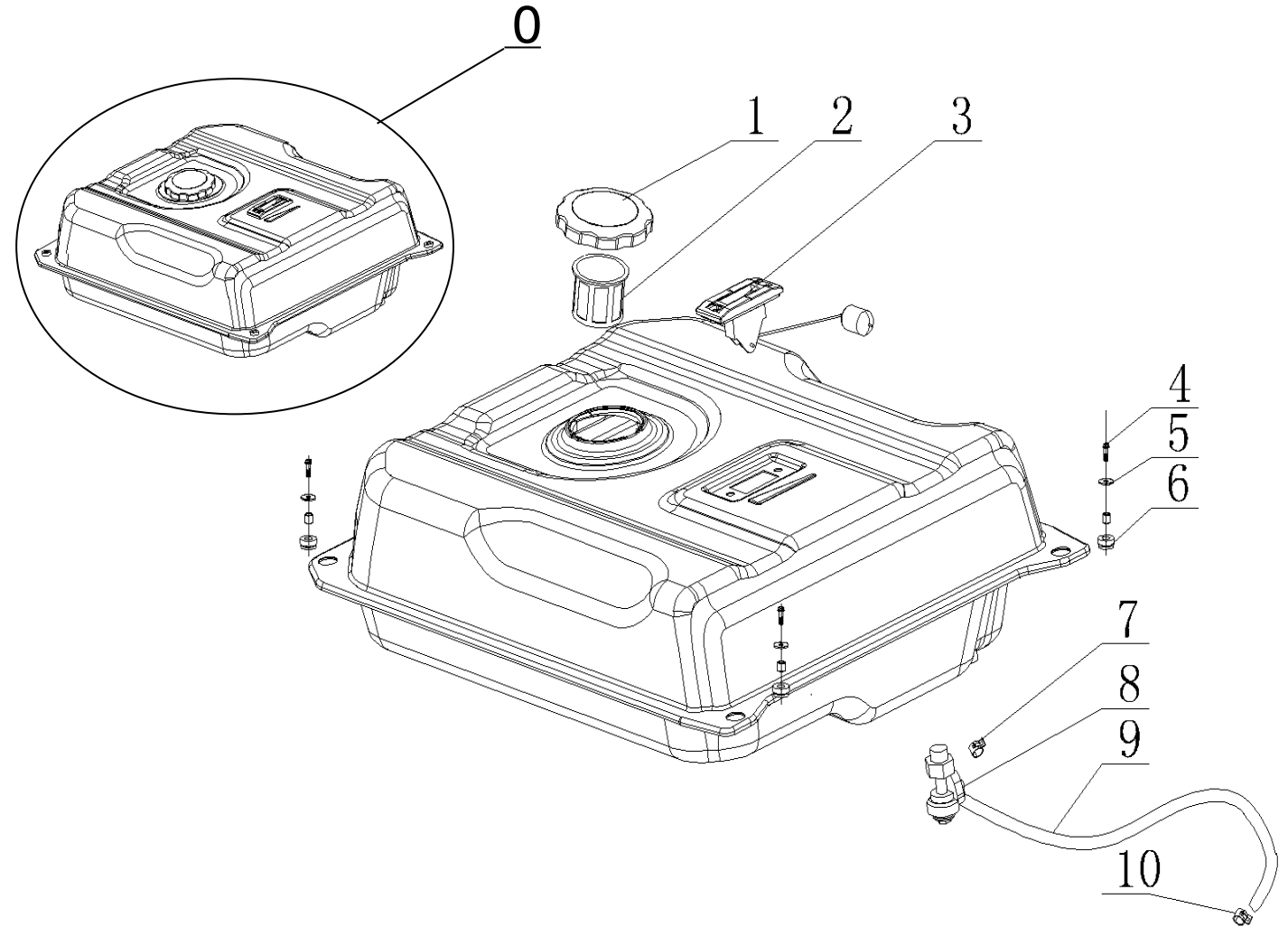
**Alternator:**

Part #	Item Code	Description	Qty
3	421408	AVR	1
6	421409	CARBON BRUSH	1
8	812599	ALTERNATOR SUPPORT	1



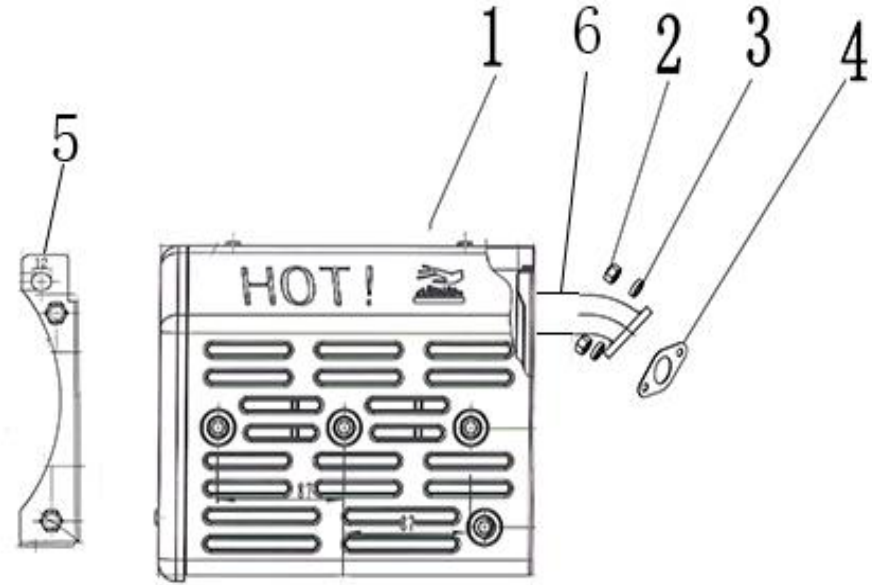
### Fuel Tank:

Part #	Item Code	Description	Qty
0	812851	FUEL TANK ASSEMBLY	1
1	812590	FUEL TANK CAP	1
2	812591	OIL FILTER	1
3	421410	OIL MARKER	1



**Muffler:**

Part #	Item Code	Description	Qty
1	421411	MUFFLER COMPONENT	1
2	812615	NUT	2
4	421412	MUFFLER GASKET	3
6	812604	MUFFLER CONNECTION PIPE	1



**Control Panel:**

Part #	Item Code	Description	Qty
1	421413	CONTROL PANEL ASSEMBLY	1

